



Utility Ball Valve (UBV)

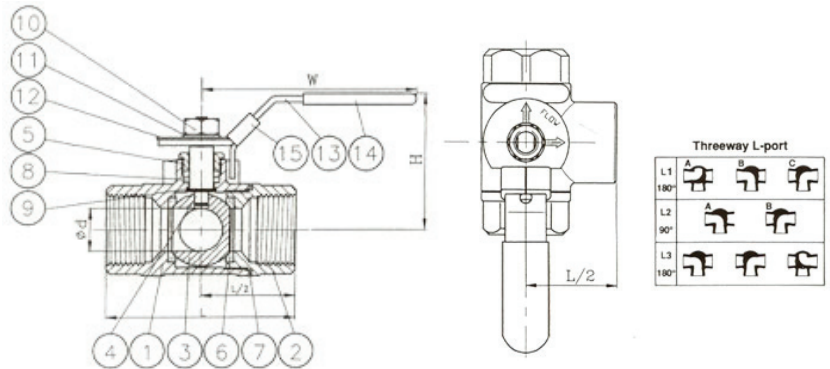
Stainless Steel 1000 WOG 3-Way Standard Bore, L-Port

Features

- ISO 9002
- The thread ends conform to ASME B 1.20.1(NPT) ISO 228/1 & ISO 7/1 DIN 2999 & BS21
- Investment casting
- Anti blow-out stem
- 1000 psi W.O.G.
- Standard Bore
- 15 % glass fiberfill PTFE reinforced seat
- Mounting pad drilled and tapped
- L Port
- Latch lock handle



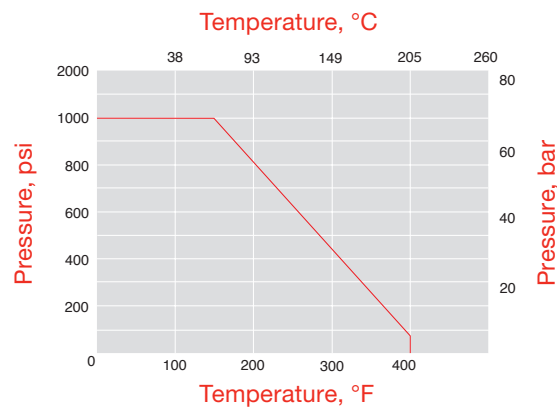
Item	Parts	Material
1	Body	ASTM A351-CF8M
2	Cap	ASTM A351-CF8M
3	Ball	ASTM A351-CF8M
4	Stem	ASTM A276-316
5	Gland Nut	AISI 304
6	Ball Seat	R-PTFE
7	Body Seal	PTFE
8	Packing	PTFE
9	Thrust Washer	PTFE
10	Stem Nut	AISI 304
11	Spring Washer	AISI 304
12	Name Plate	ALUMINUM
13	Handle	AISI 304
14	Handle Sleeve	PVC
15	Lock	AISI 304



*R-PTFE=15 % Glassfiber filled PTFE

SIZE	ød	L	H	W	Cv	Torque in. -lb	Part Number
3/8"	0.39	2.52	2.09	3.82	6	43.4	3L66RT-038
1/2"	0.5	2.52	2.09	3.82	6	43.4	3L66RT-050
3/4"	0.63	2.99	2.48	4.96	12	60.8	3L66RT-075
1"	0.79	3.43	2.6	4.96	14	108.5	3L66RT-100
1-1/4"	0.98	3.78	3.19	5.71	24	108.5	3L66RT-125
1-1/2"	1.26	4.49	3.27	5.71	30	130.2	3L66RT-150
2"	1.5	5.59	3.78	8.03	50	238.7	3L66RT-200

Pressure-Temperature Ratings



△UBV ball valves are designed to be used in the fully open or fully closed position.

Safe Product Selection

When selecting a product, the total system design must be considered to ensure safe, trouble-free performance. Function, material compatibility, adequate ratings, proper installation, operation, and maintenance are the responsibilities of the system designer and user.