



Utility Ball Valve (UBV)

Stainless Steel 1000 WOG 3-PC. Full Bore, Pipe Socket Weld

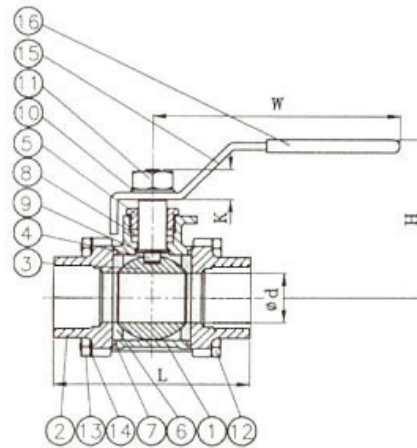
Features

- ISO 9002
- Investment casting
- Anti blow-out stem
- Full bore
- 1000 psi W.O.G.
- 15 % glass fiberfill PTFE reinforced seat
- PTFE seal & packing
- Mounting pad refers to ISO 5211 & DIN 3337
- Latch lock handle



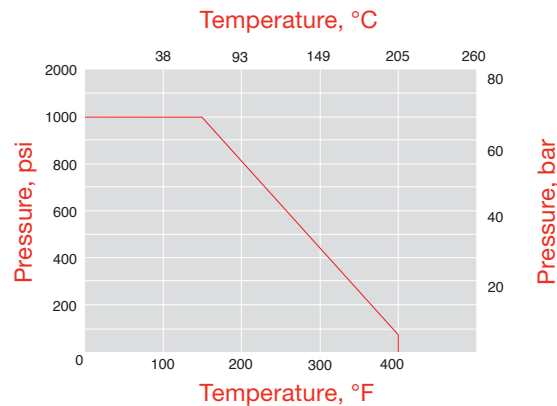
Item	Parts	Material
1	Body	ASTM A351-CF8M
2	Cap	ASTM A351-CF8M
3	Ball	ASTM A351-CF8M
4	Stem	ASTM A276-316
5	Gland Nut	AISI 304
6	Ball Seat	R-PTFE
7	Body Seal	PTFE
8	Packing	PTFE
9	Thrust Washer	PTFE
10	Spring Washer	ANSI 304
11	Stem Nut	ANSI 304
12	Bolt	ANSI 304
13	Bolt Nut	ANSI 304
14	Spring Washer	ANSI 304
15	Handle	ANSI 301
16	Handle Sleeve	PVC

*R-PTFE=15 % Glassfiber filled PTFE



SIZE	ød	L	H	W	Cv	WT LBS	Torque in. ·lb	Part Number
1/4"	0.46	2.52	1.65	3.86	6	0.99	36	366FW-025
3/8"	0.5	2.52	1.65	3.86	7	0.95	36	366FW-038
1/2"	0.59	2.6	1.93	4.53	10	1.54	43	366FW-050
3/4"	0.79	3.27	2.05	4.53	25	1.98	65	366FW-075
1"	0.98	3.74	2.44	5.63	35	2.98	101	366FW-100
1-1/4"	1.26	4.37	2.6	5.63	43	4.85	158	366FW-125
1-1/2"	1.5	5.12	3.03	7	80	6.39	187	366FW-150
2"	2.00	5.94	3.35	7.0	110	10.14	230	366FW-200

Pressure-Temperature Ratings



△UBV ball valves are designed to be used in the fully open or fully closed position.

Safe Product Selection

When selecting a product, the total system design must be considered to ensure safe, trouble-free performance. Function, material compatibility, adequate ratings, proper installation, operation, and maintenance are the responsibilities of the system designer and user.